

4

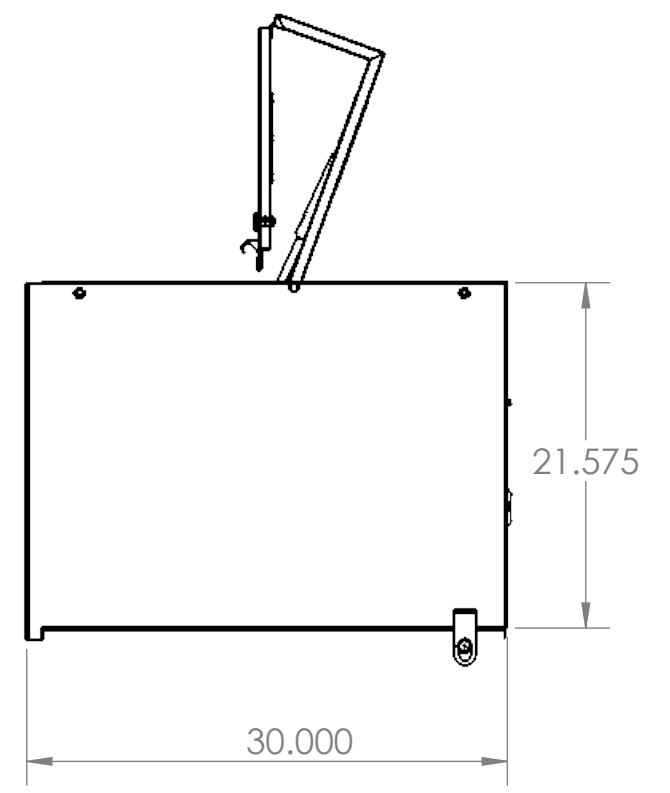
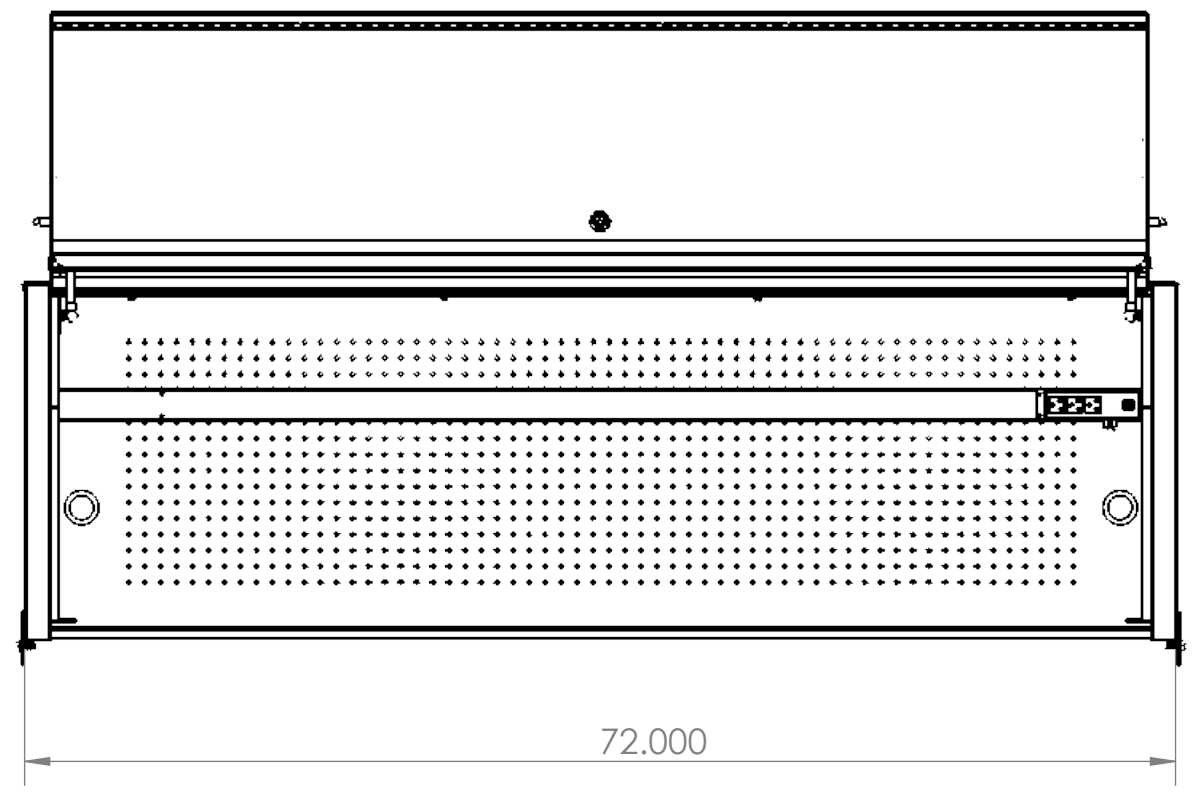
3

2

1

B

B



A

A

DRAWER No.	WIDTH		DEPTH		HEIGHT	
	O.D.	I.D.	O.D.	I.D.	O.D.	I.D.
1						
2						
3						
4						
5						
6						
7						
ADJ. SHELF	68.701		12.992		1.929	

OVERALL DIMENSIONS		
WIDTH	DEPTH	HEIGHT
72	30	21.5

RX723001HC (SCHEMATIC)

4

3

2

1