

4

3

2

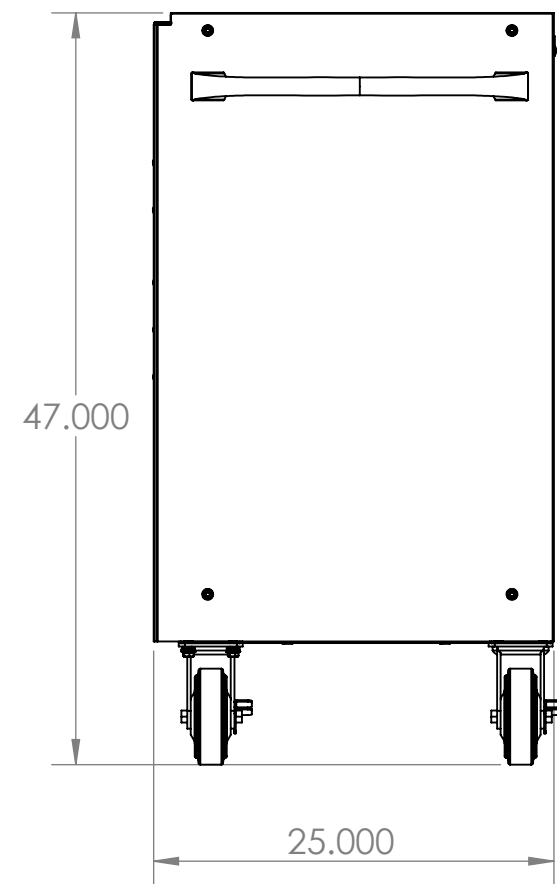
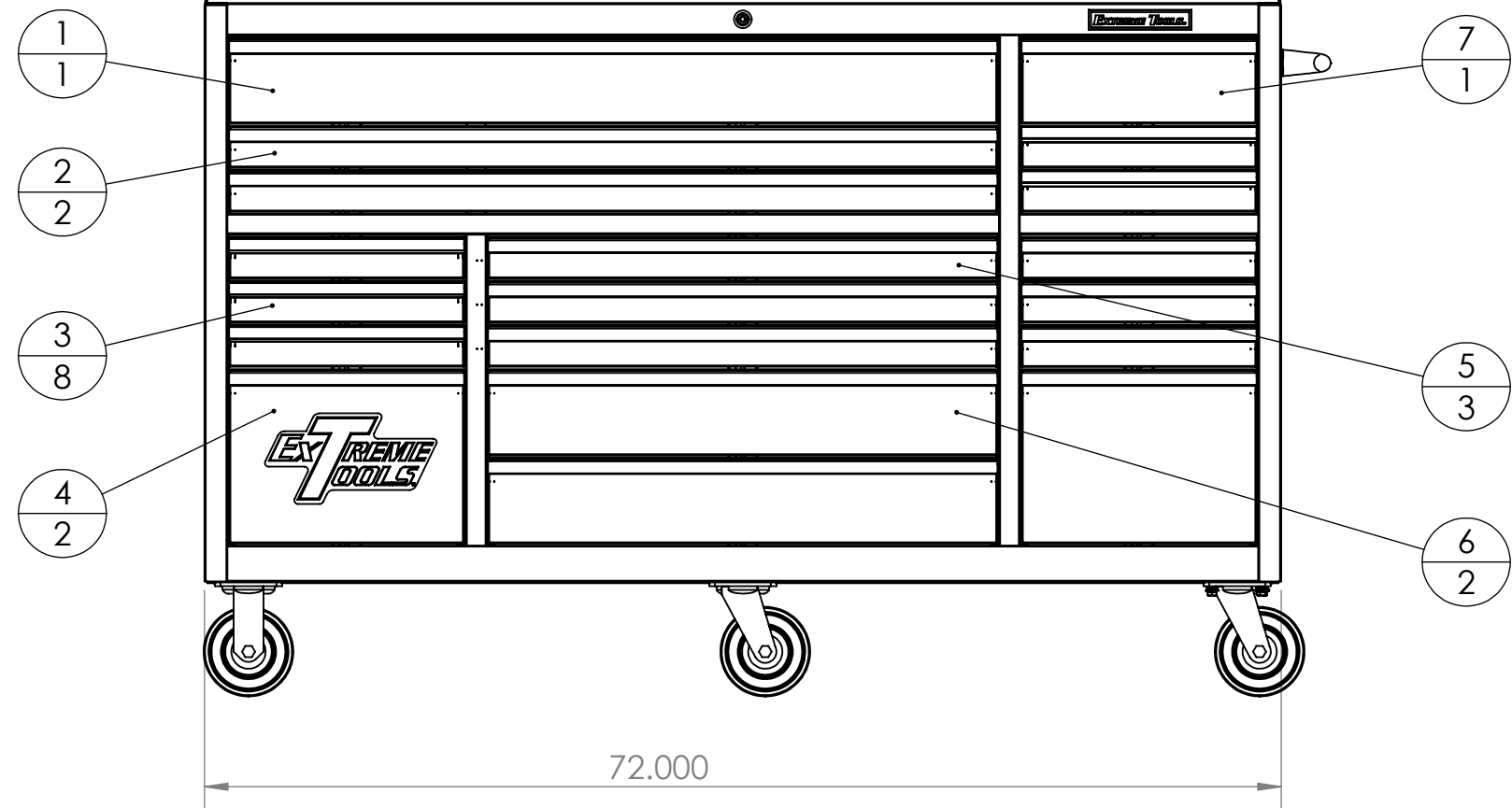
1

B

B

A

A



DRAWER No.	WIDTH		DEPTH		HEIGHT	
	O.D.	I.D.	O.D.	I.D.	O.D.	I.D.
1	51.378	50.484	24.3	22.063	5.768	5.173
2	51.378	50.484	24.3	22.063	2.812	2.220
3	15.709	14.815	24.3	22.063	2.812	2.220
4	15.709	14.815	24.3	22.063	11.673	11.079
5	34.055	33.142	24.3	22.063	2.812	2.220
6	34.055	33.142	24.3	22.063	5.768	5.173
7	15.709	14.815	24.3	22.063	5.768	5.173

OVERALL DIMENSIONS		
WIDTH	DEPTH	HEIGHT
72	25	47

RX722519RC-X (SCHEMATIC)

4

3

2

1