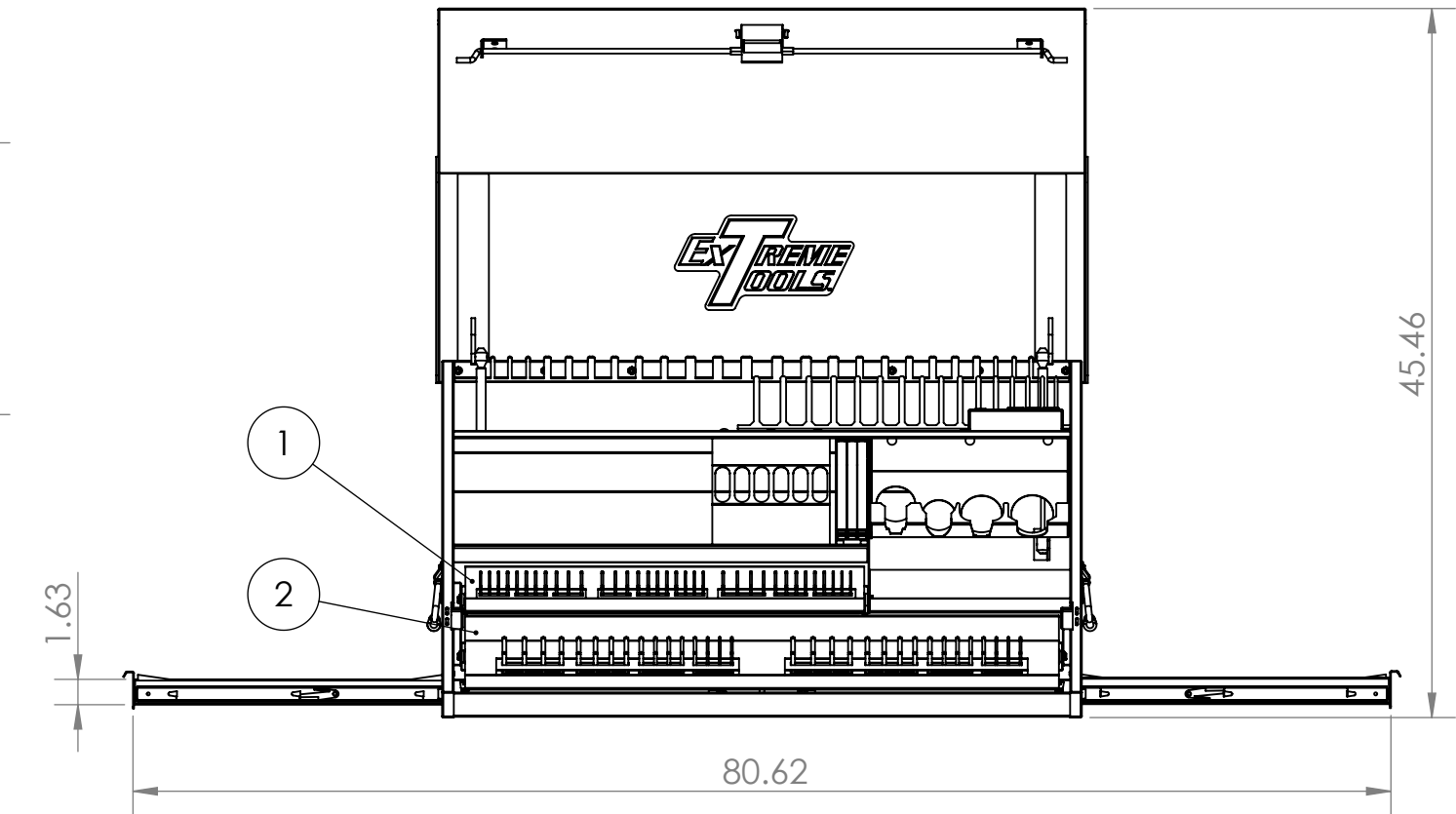
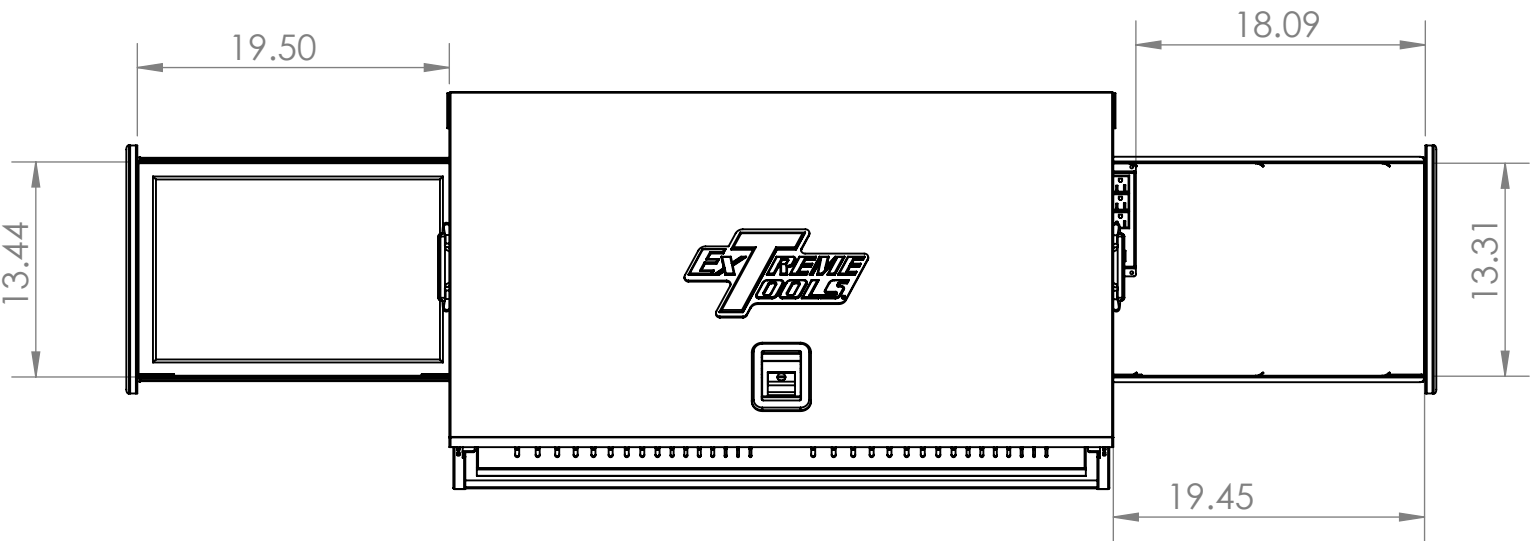
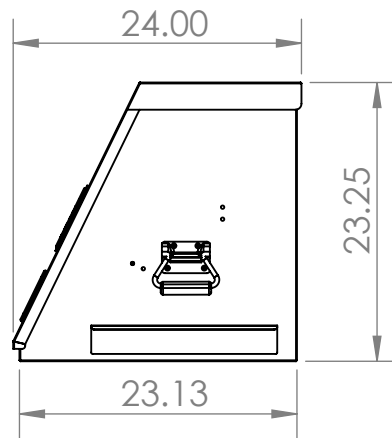
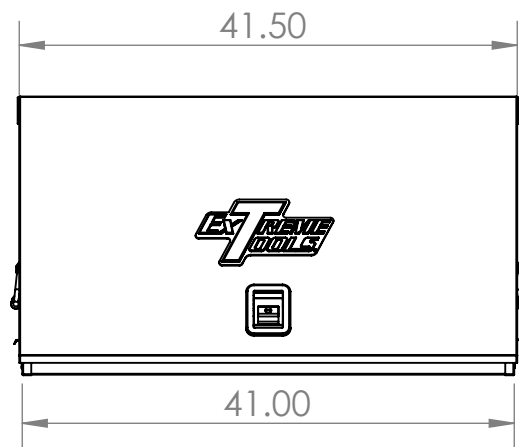


PWS4105TX

- Power tool rack with built-in 3-outlet power strip and 2 USB ports
- Pull-out side shelf
- Pull-out side drawer holds up to 17" laptop computer
  - Side Drawer has built-in power strip for easy computer usage
- Security latch inside Deluxe Portable Workstation
- 23 Combination Wrench pegs
- 49 Screwdriver, Ratchet Driver and Extension holders
- (48) 1/4" Deep and Shallow Socket pegs
- (32) 3/8" Deep and Shallow Metric Socket pegs
- (22) 3/8" Deep and Shallow SAE Socket pegs
- (32) 1/2" Deep and Shallow Socket pegs
- (22) Specialty Tool Socket pegs
- (13) Wide Specialty Tool slots
- 29 piece drill bit holder
- 6 Slot Pliers Rack
- Two internal drawers have storage trays built into drawer fronts
  - One large 25.75" wide drawer
  - One extra large full-width 38" drawer



DRAWER No.	WIDTH		DEPTH		HEIGHT	
------------	-------	--	-------	--	--------	--

	O.D.	I.D.	O.D.	I.D.	O.D.	I.D.
1	25.562	25	17	12	3	2.875
2	37.969	37.375	19.5	13.875	5	2.875
LH SIDE SHELF	19.5		13.438		1.625	
LAPTOP TRAY	19.5		13.156		1.656	
OVERALL DIMS	41.5		24		23.25	

PWS4105TX (SCHEMATIC)