

4

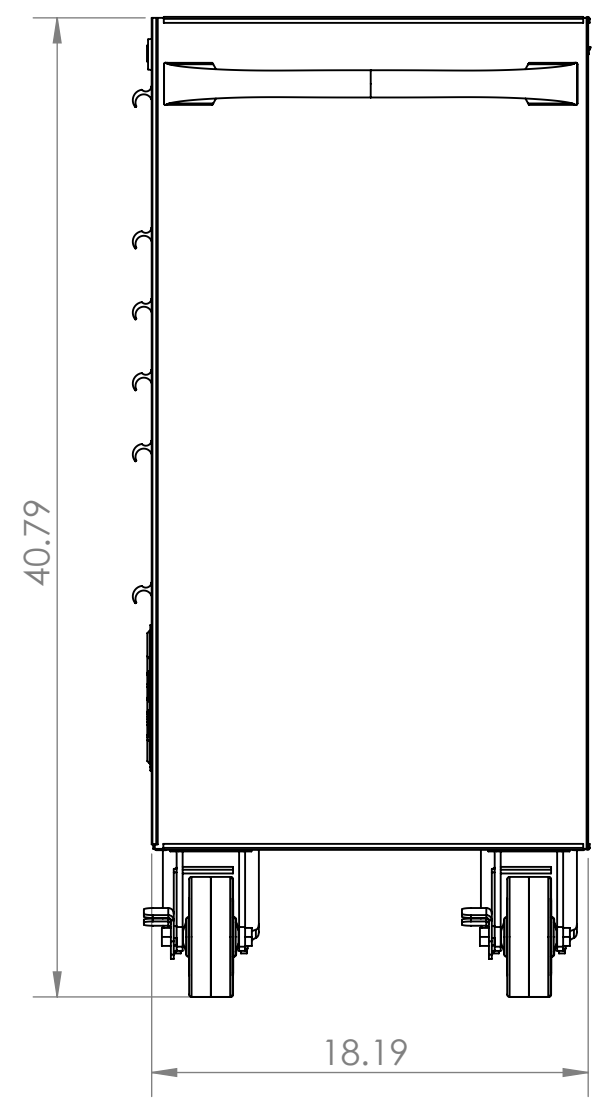
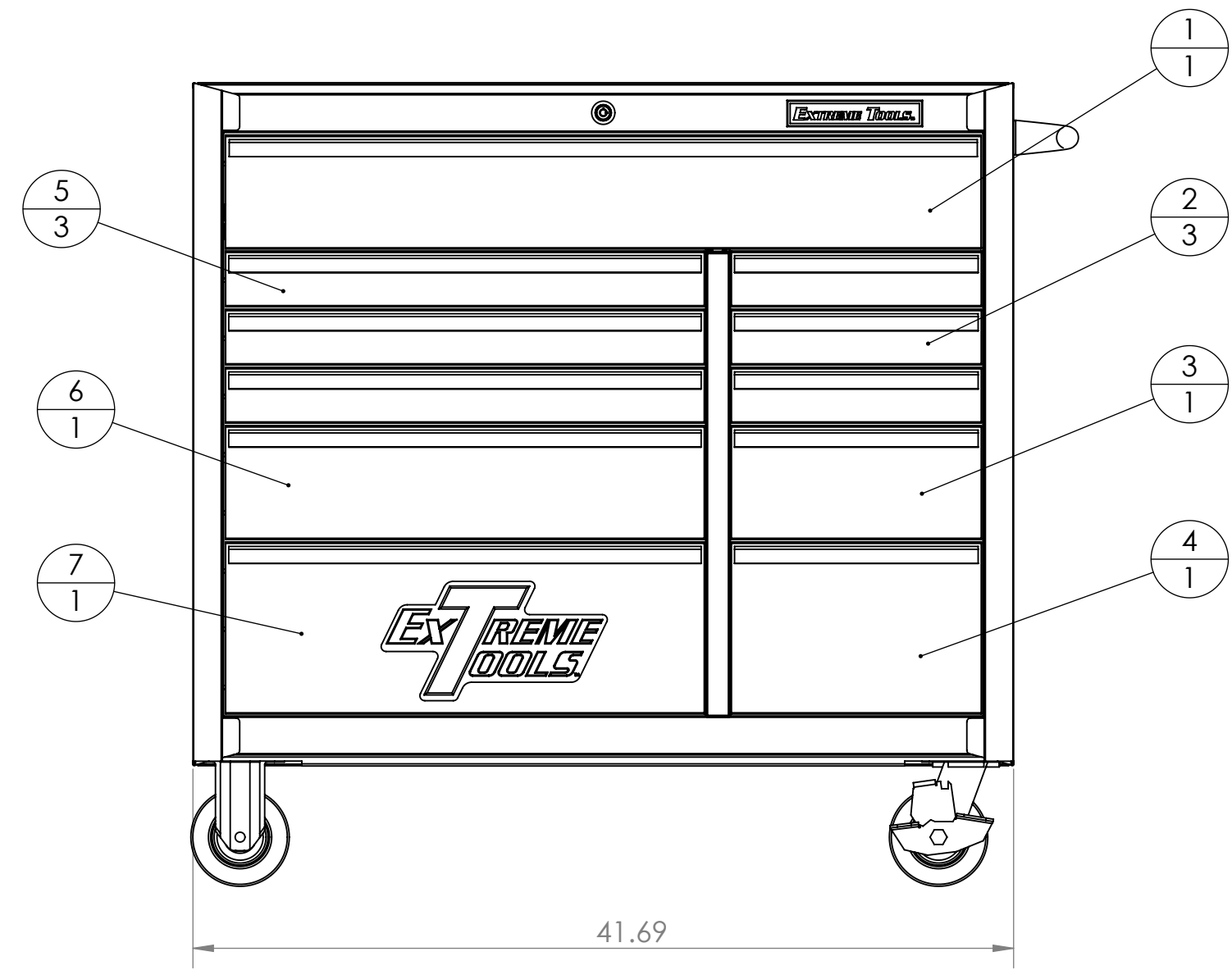
3

2

1

B

B



A

A

DRAWER No.	WIDTH		DEPTH		HEIGHT	
	O.D.	I.D.	O.D.	I.D.	O.D.	I.D.
1	38.375	37.375	17.5	16.375	5.844	5.25
2	12.688	11.688	"	"	2.813	2.375
3	12.688	11.688	"	"	5.844	5.25
4	12.688	11.688	"	"	8.750	8.25
5	24.313	23.313	"	"	2.813	2.375
6	24.313	23.313	"	"	5.844	5.25
7	24.313	23.313	"	"	8.750	8.25
OVERALL DIMS	41.69		18.19		40.79	

EX4111RC (SCHEMATIC)

4

3

2

1