

4

3

2

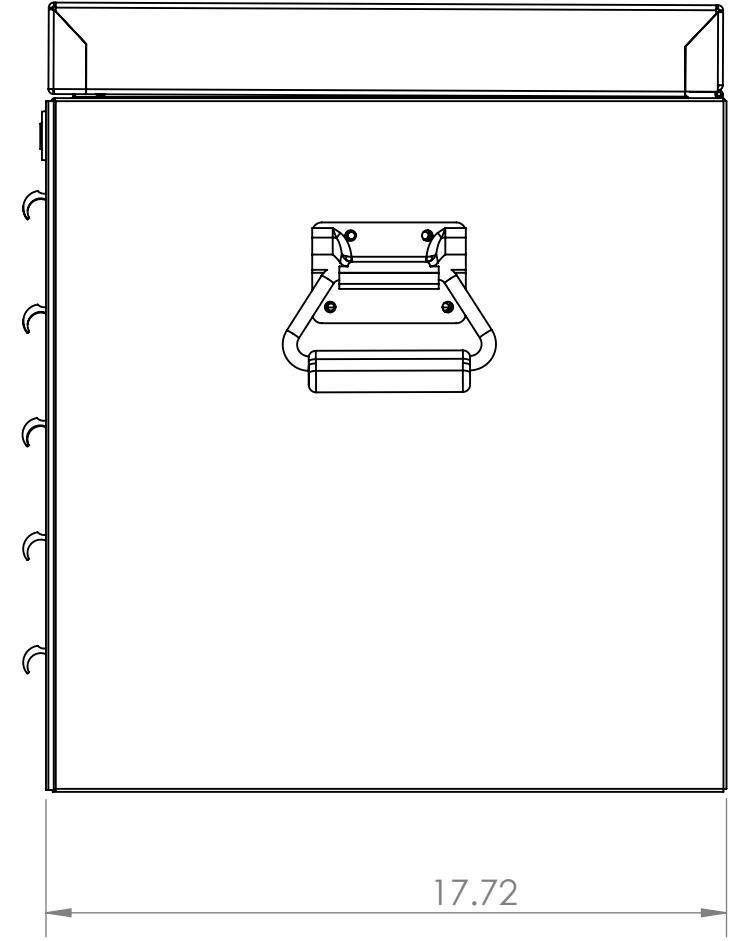
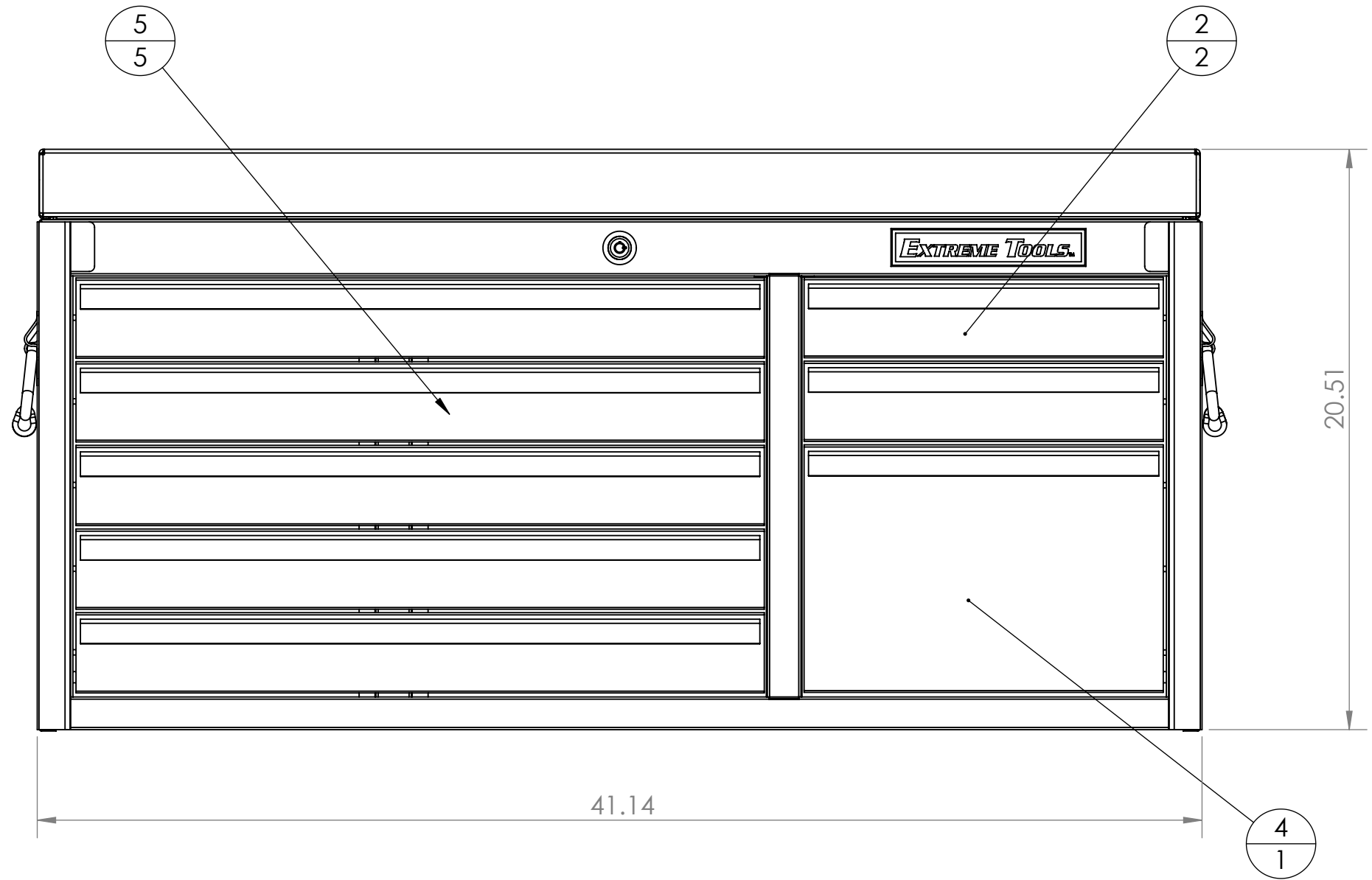
1

5
5

2
2

B

B



A

A

DRAWER No.	WIDTH		DEPTH		HEIGHT	
	O.D.	I.D.	O.D.	I.D.	O.D.	I.D.
2	12.688	11.688	17.5		2.813	2.625
4	12.688	11.688	17.5		8.750	8.25
5	24.313	23.313	17.5		2.813	2.625
OVERALL DIMS	40.14		17.72		20.51	

EX4108CH-00 (SCHEMATIC)

4

3

2

1