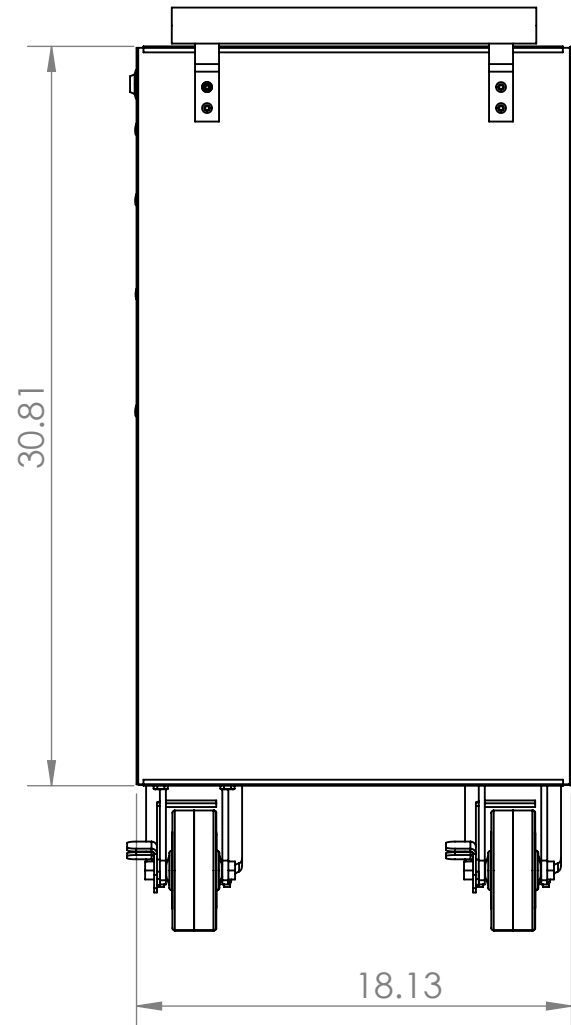
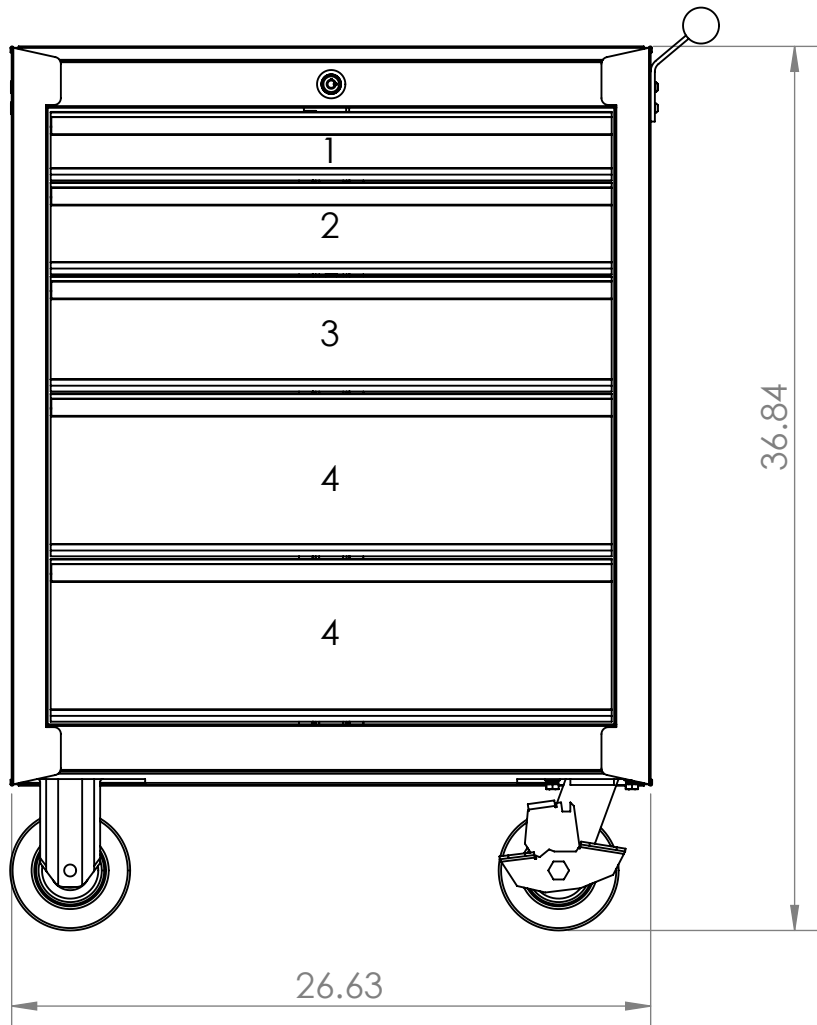


4

3

2

1



B

B

A

A

DRAWER No.	WIDTH		DEPTH		HEIGHT	
	O.D.	I.D.	O.D.	I.D.	O.D.	I.D.
1	23.375	22.063	16.625	15.625	2.844	2.625
2	"	"	"	"	3.844	3.625
3	"	"	"	"	4.750	4.625
4	"	"	"	"	6.781	6.5
OVERALL DIMS	26 1/2		18		37	

EX2605RC (SCHEMATIC)

4

3

2

1