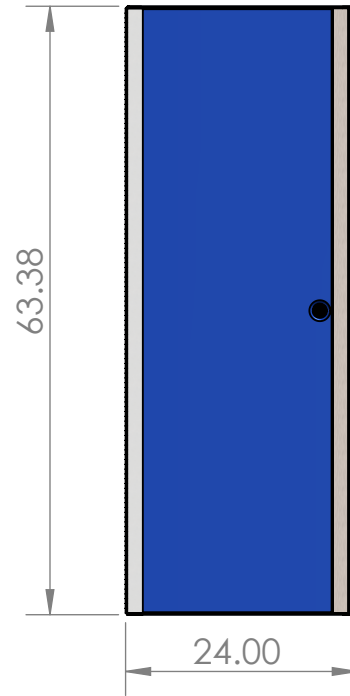
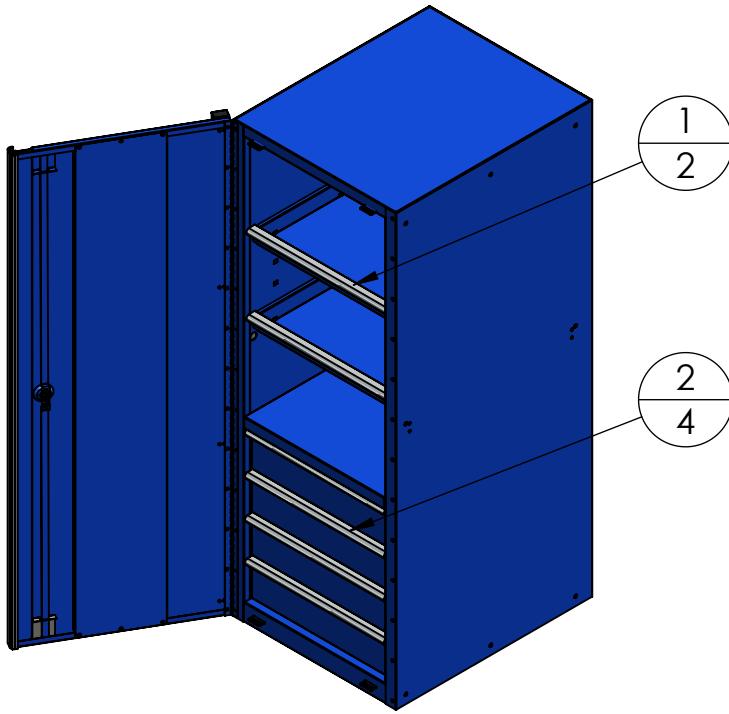
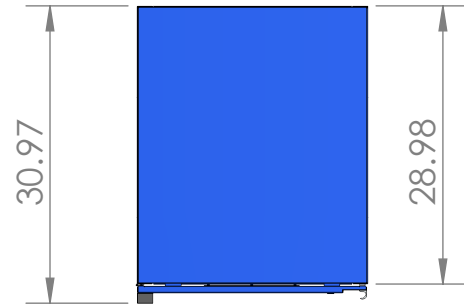


# EX2404SC (SCHEMATIC)



DRAWER No.	WIDTH		DEPTH		HEIGHT	
	O.D.	I.D.	O.D.	I.D.	O.D.	I.D.
1	20.438	19.125	27.938	26.875	2.063	2
2	"	"	28.344	26	5.375	4.625
OVERALL DIMS	24		30		63	